



GROM-DSP

Thank you for your purchase of the GROM-DSP adapter. Certain BMWs were equipped with what is known as Digital Sound Processing (DSP). DSP is a RG174 coaxial input instead of wires from the BMW CD Changer into the factory amplifier. BMW sometimes refers to this as "premium sound".

Vehicles with DSP as an option:

1997-2003 5-series
2004-2009 X3
2000-2006 X5
2003-2009 Z4

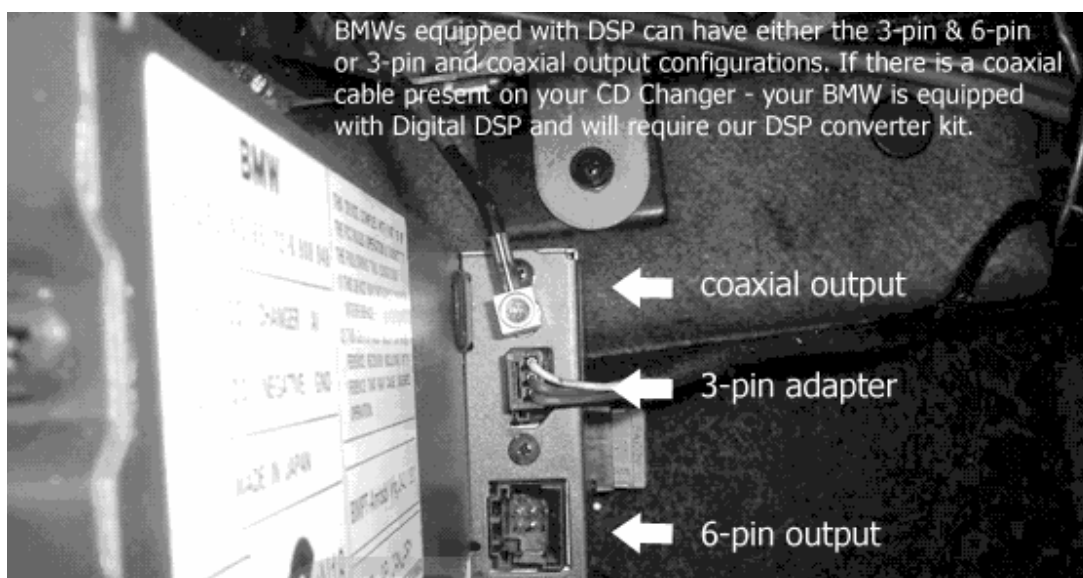
Vehicles with DSP as standard equipment:

09/1998-2001 7-series
2000-2003 M5
2000-2003 Z8

Vehicles manufactured after MY2002 will have to inspect their connections to determine what type of DSP is present. If the vehicle was originally equipped with a CD Changer, this is simple as you will be able to check what connections are plugged connected to your changer.

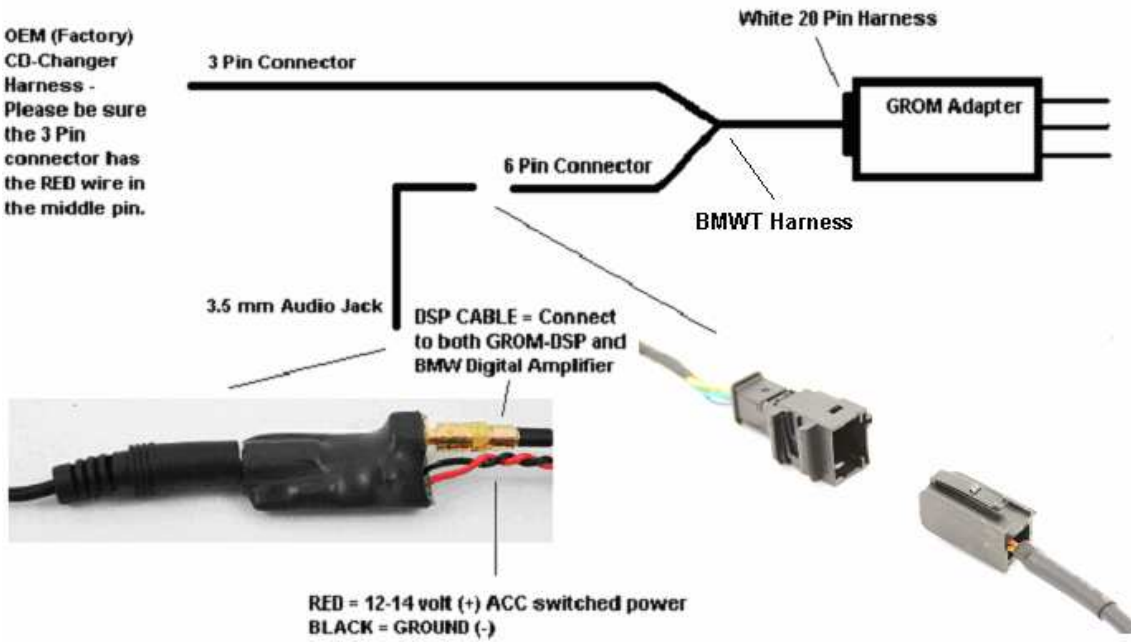
If the vehicle was not equipped with a changer or the vehicle was purchased used (possibly the changer was removed upon selling of vehicle) you will need to locate the factory amplifier and inspect to see if a coaxial wire is present.

If you should need additional assistance, please take pictures of the amplifier connections and of the original cod-changer connections to visually confirm whether or not you have DSP.



CONNECTION DIAGRAM

OEM (Factory) CD-Changer Harness - Please be sure the 3 Pin connector has the RED wire in the middle pin.



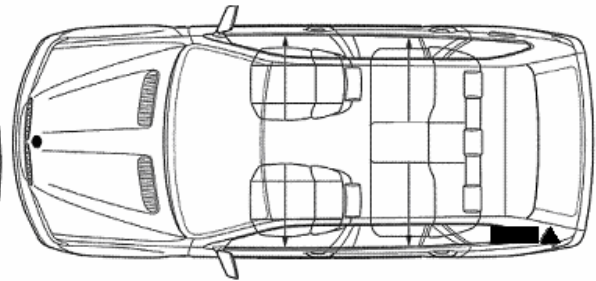
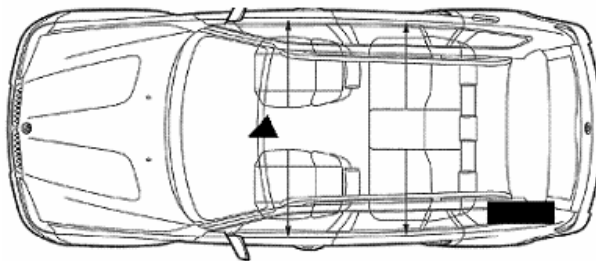
▲ 3 Pin Connector

■ DSP Amplifier

DSP Locations

BMW 5 Series and X5

BMW X3



BMW Z4

